

1. Specification

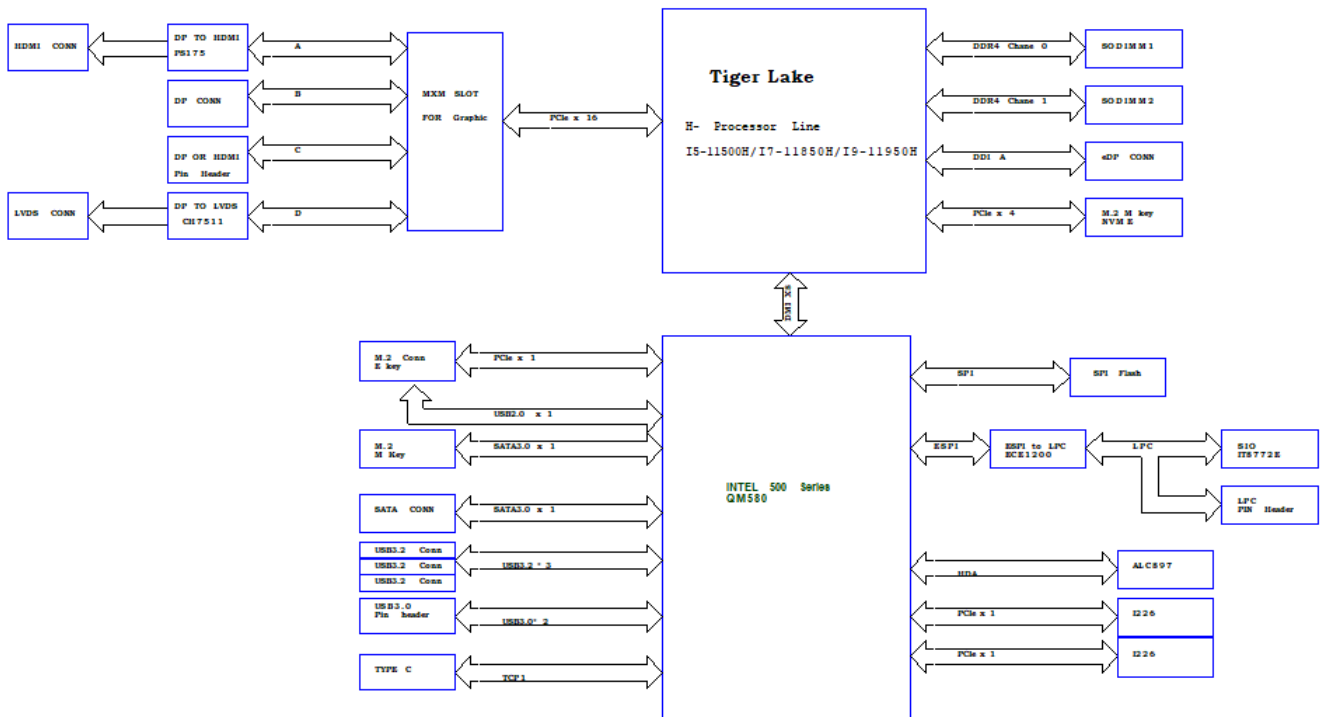
Model		EMA-7103		
产品类型 Form Factor	产品类型 Form Factor	7 " MXM 主板		
处理器 Processor	CPU	Intel Tiger Lake-H i5/i7/i9 FCBGA1787		
	处理器 CPU	I5-11500H	I7-11850H	I9-11950H
	内核数 Core Number	6	8	8
	基本主频 Base Frequency	2.4/2.9GHz	2.1/2.5GHz	2.1/2.6GHz
	最高主频 Max. Speed	4.60GHz	4.90GHz	5.00GHz
	二级缓存 L2 Cache	12MB	24MB	24MB
	功耗 TDP (W)	35/45W	35/45W	35/45W
	芯片组 Chipset	Intel PCH QM580		
	BIOS	128Mb SPI FLASH		
内存 Memory	规格 Technology	DDR4 3200MHz		
	最大容量 Max. Capacity	64G		
	插槽 Socket	2 x SO-DIMM		
扩展插槽 Expansion Slot	M.2	1 x M.2 Key-M(2242 / 2280) for PCIe/SATA 1 x M.2 Key-B(3042 / 3052) for SATA &4G/5G 1 x M.2 Key-E(2230) for Wifi		
	SIM	1 x SIM		
	PCI-Express	1 x PCIe 4x		
存储 Storage	SATA	1 x SATA3.0(7 Pins)		
串口 COM	插针 Header Pin	1 x RS232 (1 x 2.0mm_2*5Pin)		

显示 Graphics	最多显示 Multiple Display	5 Ports
	I/O	1 x HDMI (From GPU DP_A DP to HDMI) 1 x DP (From GPU DP_B)
	插针 Header Pin	1 x eDP (From CPU) 1 x HDMI or DP (From GPU DP_C) 1 x LVDS (From GPU DP_D DP to LVDS)
	分辨率 Resolution	HDMI2.0:4096*2160@60Hz DP:7680*4096@60Hz eDP:4096*2304@60Hz LVDS: 1920*1080@60Hz
USB / Type-C	I/O	3 x USB3.0 1 x Type C (Support USB2.0/USB3.0)
	插针 Header Pin	2 x USB3.0(1 x 2.0mm_2*10Pin) 2 x USB2.0(1 x 2.54mm_2*5Pin)
以太网 Ethernet	控制器 Controller	Integrated 10/100/1000M/2.5GB Adaption (Intel® Ethernet Controller I225-AT)
	I/O	2 x RJ45
音频 Audio	芯片 Chipset	Integrated High Definition Audio Stereo (ALC897)
	I/O	1 x Line Out 1 x MIC In
	插针 Header Pin	1 x Line Out 1 x MIC In
其它 Others	按钮 Button	1 x RV Button 1 x Reset Button
	F_Panel	1 x F_Panel(1 x 2.54mm_2*5Pin)
	LPC	1 x LPC
电源 Power Requirements	电源类型 Power Type	1 x DC In(4P In) 1 x ATX 2x2 4Pin
	电源电压 Input Voltage	18~26V
环境 Environment	工作温度 Operating Temperature	0~50°C
	存储温度 Storage Temperature	-20~70°C
	工作湿度 Operating Humidity	10~95% (non-condensing)
物理特性 Physical	尺寸 Dimensions	mITX (170*170mm)
	PCB 颜色 Color	Green

操作系统 OS	Microsoft	Windows 10 LTSC/1809(RS5)
	Linux	Red Hat 8.4 Ubuntu 20.04 Yocto 4.0xLTS

2 Block Diagram

Block Diagram



3 Product Pictures

