



Empowering Tomorrow's AI Computing

ECM-SKY6U2

COM-Express Type 6 Core Board

Datasheet

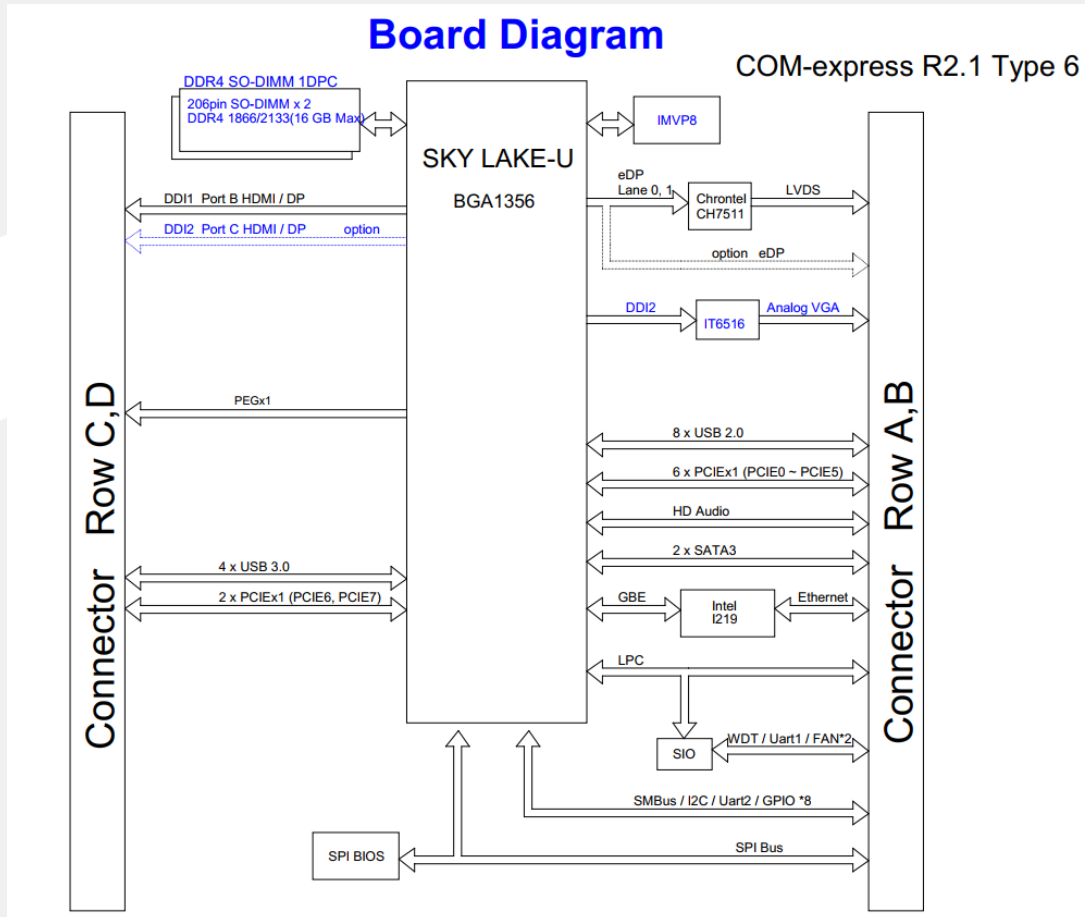
1. Specification

| Model | | ECM-SKY6U2 | | |
|-------------------------|-----------------------|---|----------|----------|
| Form Factor | | COMe Type 6 Core Board | | |
| Processor System | CPU | i7-6600U | i5-6300U | i3-6100U |
| | Core Number | 2C/4T | 2C/4T | 2C/4T |
| | Max. Speed | 3.4GHz | 3.0GHz | 2.3GHz |
| | L2 Cache | 4M | 3M | 3M |
| | TDP (W) | 15W | 15W | 15W |
| | Chipset | Integrated PCH-LP | | |
| | BIOS | AMI EFI BIOS | | |
| Expansion Slot | PCI Express x4 | 1 x PCIe 4x (Can be configured to 1 x PCIe 2x + 2 x PCIe 1x) | | |
| Memory | | DDR4 2133MHz | | |
| | Max. Capacity | 16G | | |
| | Socket | 2 x SO-DIMM | | |
| Display | Controller | 1 x DDI support configurable HDMI/DVI/DP 1 x DDI support configurable VGA 1 x eDP to LVDS(optional eDP) | | |
| | Resolution | HDMI:4096*2304@24Hz DP:4096*2304@60Hz eDP:4096*2304@60Hz | | |
| Ethernet | Controller | INTEL I219 | | |
| | Connector type | Through COM-E | | |

| | | |
|---------------------------|------------------------------|---|
| Internal Connector | USB 3.0 | 4 x USB 3.0 |
| | USB 2.0 | 4 x USB2.0 |
| | SATS3.0 | 3 x SATA3.0 |
| | GPIO | 8-bit GPIO |
| | LPC | 1 x LPC |
| | SMBUS | 1 x SMBUS |
| | Watch Dog | Support |
| | TPM2.0 | 1 x TPM2.0 |
| | COM | 1 x COM |
| | Others | 1、 Support 1 x FAN 2、 Support 1 x Power Button 3、 Support 1 x RESET |
| | Connector | 2 x COM-E 220Pin Connetor |
| Power Supply | Power Type | ATX: VCC,VSB AT: VCC |
| | Input Voltage | Max. 54 W |
| | Connector type | Board supply |
| Environment | Operating Temperature | 0~60°C |
| | Storage Temperature | -40~85°C |
| | Operating Humidity | 20~90%(non-condensing) |
| Physical | Dimensions | 95*95mm |
| | PCB Color | Green |

| | | |
|----|------------------|----------------------|
| OS | Microsoft | Windows 10 1809(RS5) |
| | Linux | Yocto 2.4 Rocko |

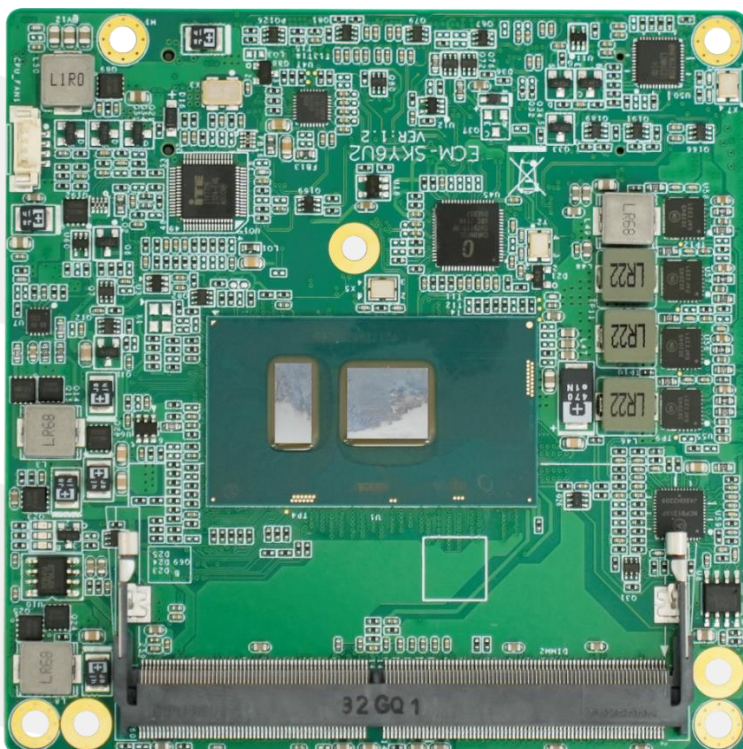
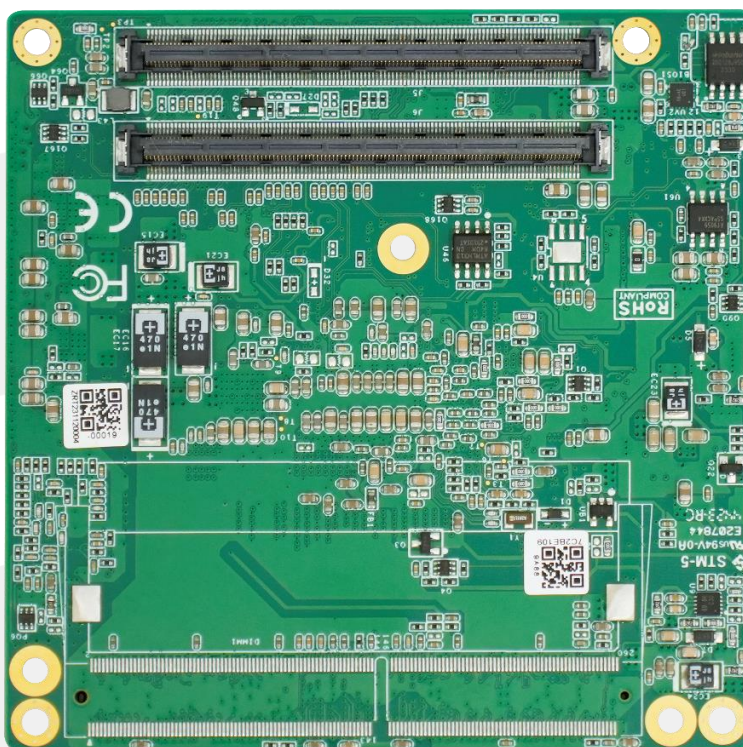
2. Board Diagram



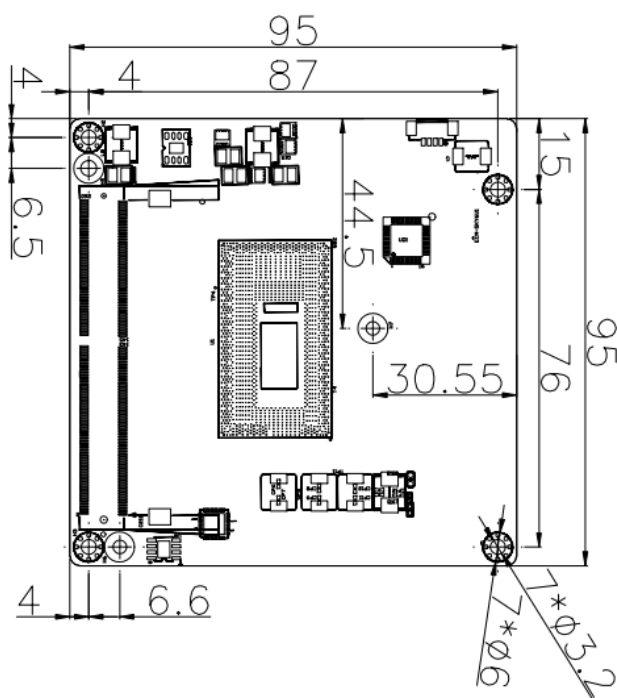
| PCIe #0-3 | | | | PCIe #4-7 | | | |
|-----------|----|----|----|-----------|----|----|----|
| x4 | | | | x4 | | | |
| x4 | | | | x2 | | x2 | |
| x4 | | | | x2 | | x1 | x1 |
| x4 | | | | x1 | x1 | x1 | x1 |
| x2 | | x2 | | x2 | | x2 | |
| x2 | | x2 | | x1 | x1 | x1 | |
| x1 | x1 | x1 | x1 | x1 | | | |

* The 3rd SATA (SATA Port2) can be supported on Core i7/i5/i3 platform by using PCIe Port7.

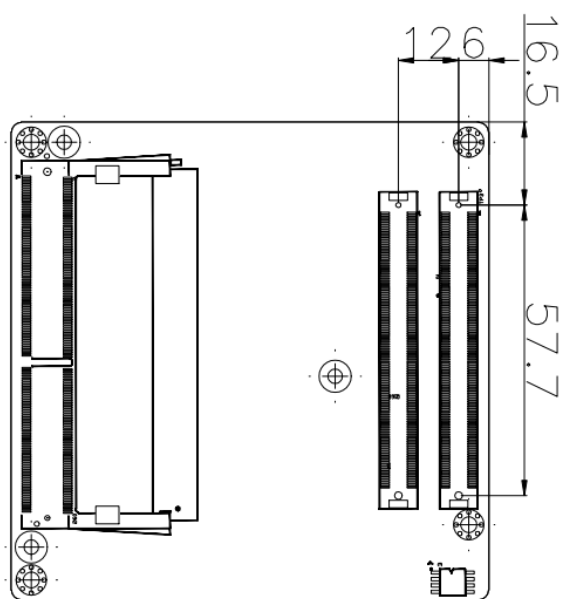
3. Product Photos



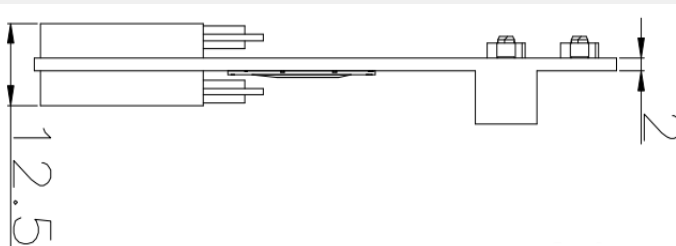
4. Product Dimensions



Mechanical Drawing (TOP Side)



Mechanical Drawing (Bottom Side)



Mechanical Drawing (Side view)

深圳智锐通科技有限公司
Shenzhen ZRT Technology Co., Ltd



Official

&



Youtube

- Shenzhen ZRT Technology Co., Ltd
- Email: info@zrt-tech.com
- Tel.: +86-400-838-6869
+86-153-3876-2616
- Website: www.zrt-tech.com
- Address: Room 2105-2106, Building A, Fenghuang Zhigu, No. 50, Tiezai Road, Xixiang Street, Bao'an District, 518100, Shenzhen