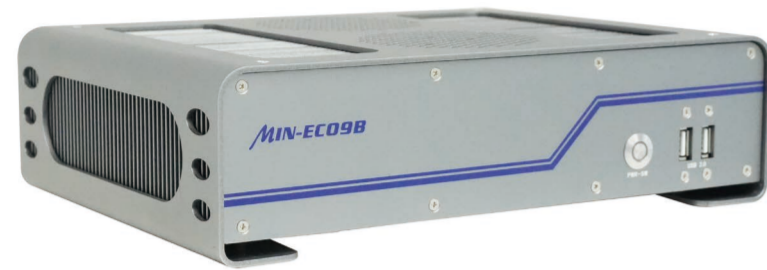


MIN-EC09C



Features:

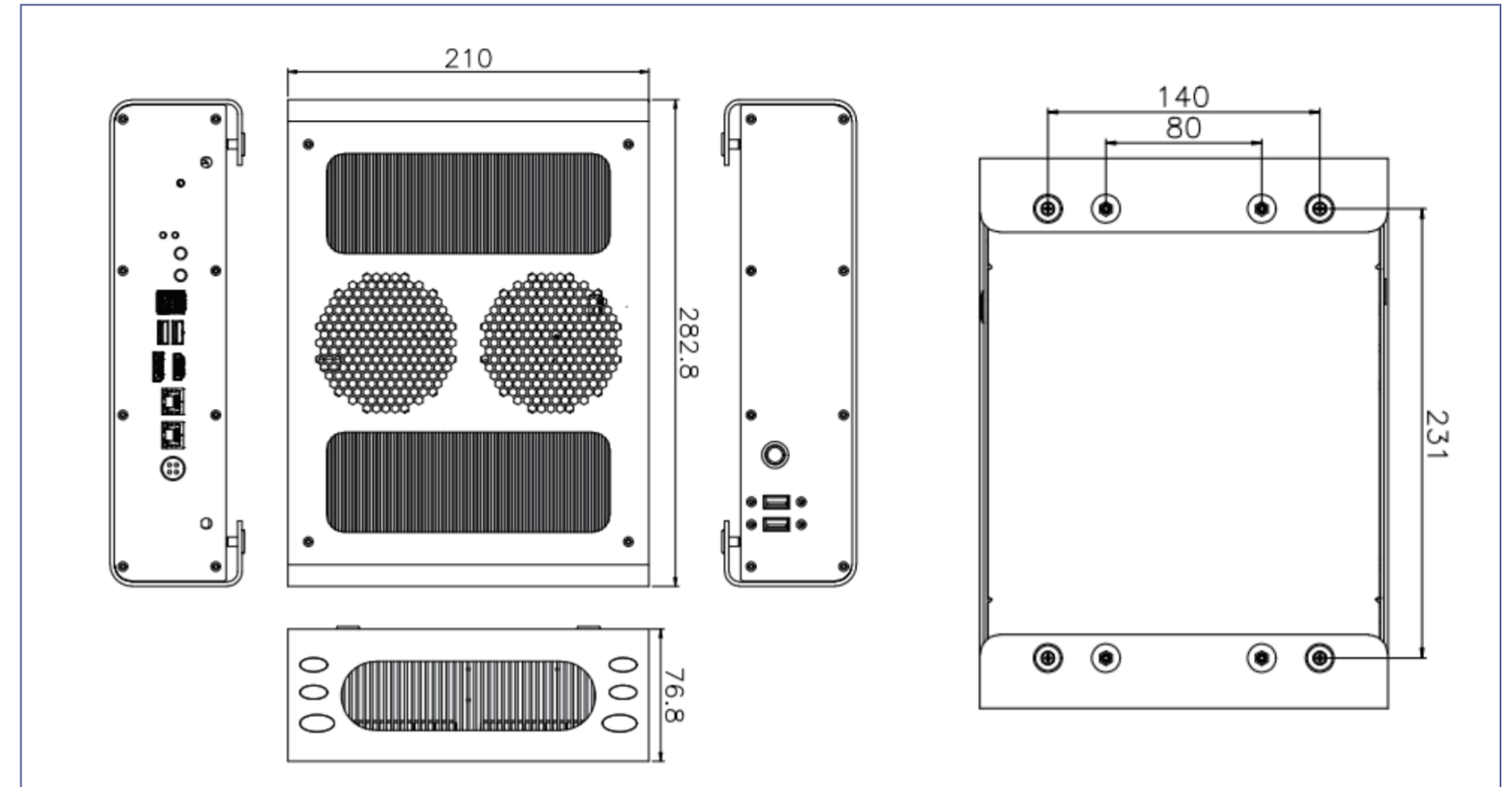
- Supports 8th/9th Generation Intel® Core™ i9/i7/i5/i3 processors
- Dual-channel DDR4 memory supporting up to 64GB
- Support for DP + HDMI independent graphics output
- 3 x USB 3.0 + Type-C; 2 x USB 2.0;
- 2 x M.2 SSD, 4G/5G IoT modules
- Expandable MXM GPU card
- All aluminum chassis, with copper tube dissipation and 2 fans design
- Compact design, size 283 x 210 x 78mm

Specification:

Model No.		MIN-EC09C		
CPU	Platform	Intel Coffee Lake-H i5/i7/i9		
	CPU	i7-9850H	i7-8850H	i5-8400H
	Core	6	6	4
	Basic Frequency	2.6GHz	2.6GHz	2.5GHz
	Highest Frequency	4.60GHz	4.30GHz	4.20GHz
	Second level Cache	12MB	9MB	8MB
	TDP	45W	45W	45W
	Chipset	Intel PCH QM370		
	BIOS	128Mb SPI FLASH		
RAM	Type	DDR4		
	Max. Capacity	64G 3200MHz		
	Slot	2 x SO-DIMM		
Expansion Slots	M.2	1 x M.2 Key-M(2242 / 2280) for PCIe/SATA, 1 x M.2 Key-B(2242 / 2260 / 2280) for SATA & 4G/5G, 1 x M.2 Key-E(2230) for WIFI		
	MXM	1 x MXM 3.1 slot for GPU card		
	SIM	1 x SIM		
Storage	SATA	1 x SATA3.0(7 Pins)		
Display	I/O	1 x HDMI (From GPU DP_A DP to HDMI) 1 x DP (From GPU DP_B)		
	Resolution	HDMI2.0:4096*2160@60Hz z DP:7680*4096@60Hz		

USB / Type-C	Front Panel	2 x USB2.0
	Back Panel	3 x USB3.0 1 x Type C
	Function	Support wake up from S3/S4
Audio	Controller	ALC897
	Back Panel	1 x Line Out 1 x MIC In
Ethernet	Controller	Intel® Ethernet Controller I211-AT
	Back Panel	2 x RJ45 10/100/1000M
	Function	Support wake up and PXE
Button	Front Panel	1 x Power Button
	Back Panel	1 x RV Button 1 x Reset Button
Power	Type	1 x DC In(4P In)
	Voltage	18~26V
Environment	Working Temp.	0~50°C at 0.7m/s air flow
	Storage Temp.	-20~70°C
	Working Humidity	10~95%(non-condensing)
Physical	Dimensions	283*210*78mm
	Color	Gray
Operation System	Microsoft	Windows 10
	Linux	Support

Dimensions:



Ports:

